

# Joinable Streamline Linear Fixture

PROJECT		TYPE		DATE	
---------	--	------	--	------	--

Architectural
 Interior
 Dry Location
 Dimmable
 AC
 Down Light
 5 Year Warranty
 UL

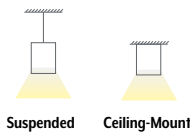
## OVERVIEW

This streamline fixture has a modular design along with cross and corner connectors, allowing either linear fixtures or more complex shapes. The customizable simplicity or complexity along with a sleek profile makes this fixture suitable for schools, offices, hotels, and retail locations.



## FEATURES

- IP40
- Aluminum alloy body with polycarbonate lens
- Maximum length 150 feet (110V) or 350 feet (277V)
- 110° beam angle
- Create linear fixtures or custom shapes



## ORDERING INFORMATION

EXAMPLE PN: USL-SLID-J-4-40W-30K-S-10V

USL-SLID-J	SIZE / POWER	CCT	FINISH	DIMMING
<b>4-40W</b>	4 FEET, 40 WATTS	<b>30K</b> 3000K	<b>W</b> WHITE	<b>10V</b> 0-10V DIMMING
<b>8-75W</b>	8 FEET, 75 WATTS	<b>40K</b> 4000K	<b>B</b> BLACK	
<b>XCNT</b>	CROSS CONNECTOR	<b>50K</b> 5000K	<b>S</b> SILVER	
<b>CRNR</b>	CORNER CONNECTOR			

## ACCESSORIES

USL-SLID-J-ACC	ACCESSORY
<b>SPMNT</b>	SUSPENSION MOUNTING KIT
<b>CLMNT</b>	CEILING SURFACE-MOUNT KIT
<b>AC</b>	AC CONNECTOR
<b>END</b>	END CAP WITH KNOCKOUT (FOR CEILING SURFACE-MOUNT)
<b>PC20</b>	POLYCARBONATE COVER, 20 IN (0.5 M) LONG
<b>PC40</b>	POLYCARBONATE COVER, 40 IN (1 M) LONG



Note: One AC connector is needed for the first fixture in a run.

Note: Each fixture needs a mounting kit

Note: When connecting multiple segments together, there is tolerance between the lengths of the lens and the fixture body that could cause gaps to be present. Spare polycarbonate covers may be cut to any length to fill in gaps or replace the existing lens.

# ARCHITECTURAL USL-SLID-J

## Joinable Streamline

### Linear Fixture



## SPECIFICATIONS

MODEL	OPERATION VOLTAGE	OPERATING TEMPERATURE	RATED LIFESPAN	CCT	CRI	EFFICACY
USL-SLID-J	100-277V	-4°F – 104°F -20°C – 40°C	50,000	3000K, 4000K, 5000K	80+	103-110 lm/W

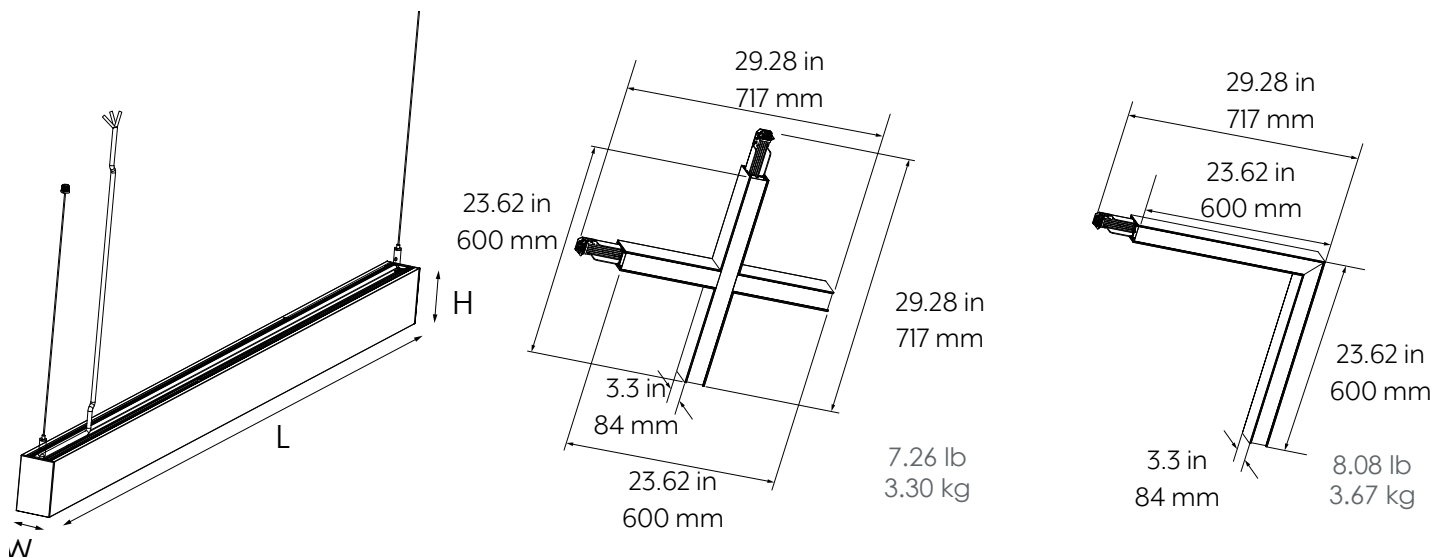
MODEL	POWER (W)	LUMENS (lm)			EFFICACY (lm/W)
		3000K	4000K	5000K	
USL-SLID-J-4-40W	40	4,120	4,280	4,320	103-108
USL-SLID-J-8-75W	75	7,650	7,725	7,875	102-105
USL-SLID-J-XCNT	40	4,080	4,120	4,280	102-107
USL-SLID-J-CRNR	40	4,240	4,320	4,400	106-110

## DIMENSIONS

MODEL	L LENGTH	W WIDTH	H HEIGHT	WEIGHT
<b>USL-SLID-J-4-40W</b>	47.36 in 1203 mm	2.2 in 56 mm	3.3 in 84 mm	7.14 lb 3.24 kg
<b>USL-SLID-J-8-75W</b>	94.48 in 2400 mm	2.2 in 56 mm	3.3 in 84 mm	14.33 lb 6.5 kg

## MAXIMUM CONNECTION

	110V	227V
<b>SUSPENDED MOUNTING</b>	150 ft 1,500W	360 ft 3,600W
<b>CEILING SURFACE-MOUNTED</b>	80 ft 800W	227 ft 2,270W



**WARNING**

PLEASE READ ALL INSTRUCTIONS BEFORE ATTEMPTING INSTALLATION

- To prevent personal injury or product damage only licensed electricians should install.
- To avoid electric shock or component damage disconnect power before attempting installation or servicing.
- This product must be installed in accordance with the national electric code (NEC) and all applicable federal, state and local electric codes and safety standards.
- Disconnect product and allow cooling prior to servicing.
- Any alteration or modification of this product is expressly forbidden as it may cause serious personal injury, death, property damage and/or product malfunction.
- To prevent product malfunction and/or electrical shock this product must be properly grounded.

LIMITS OF INSTALLATION:

- Suitable for operation in ambient temperatures as specified in the spec sheet.
- This product must be installed in accordance with the applicable installation code by a person familiar with the construction and operation of the product and the hazards involved.
- This product is not available for several special environments, such as places with corrosive gas liquids or high pressure water vapor.

**CONNECTION INFORMATION**

To join segments:

- Loosen the screws at the end of the lamp
- Pull out the inner connector
- Refasten screws to secure connector
- After wiring, replace end caps

