

EXTERIOR USL-SWP1A

Slim Wall Pack

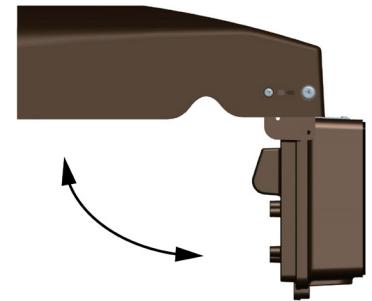
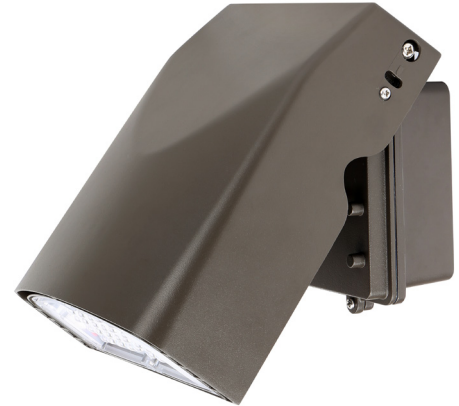


OVERVIEW

This slim wall pack has an adjustable tilt. It can be a full cutoff wall pack with only down light, or it can be angled to direct the light where needed. Suitable for security and illuminating walkways and entrances.

FEATURES

- 90° tilt adjustment
- Sleek profile
- Optional photocell
- Surface-mounting or junction box mounting
- Polycarbonate lens



ORDERING INFORMATION

EXAMPLE PN: USL-SWP1A-40W-LV-40K-10V-0-D

USL-SWP1A	POWER*	VOLTAGE	CCT	DIMMING*	PHOTOCELL	FINISH
	27W 27 WATTS	LV 120-277V	40K 4000K	0 NONE	0 NONE	D DARK BRONZE
	40W 40 WATTS		50K 5000K	10V 0-10V	PO 120-277V PHOTOCELL	B BLACK
	67W 67 WATTS					W WHITE
	80W 80 WATTS					

*Note: Dimming not available on 27W model

EXTERIOR USL-SWP1A

Slim Wall Pack



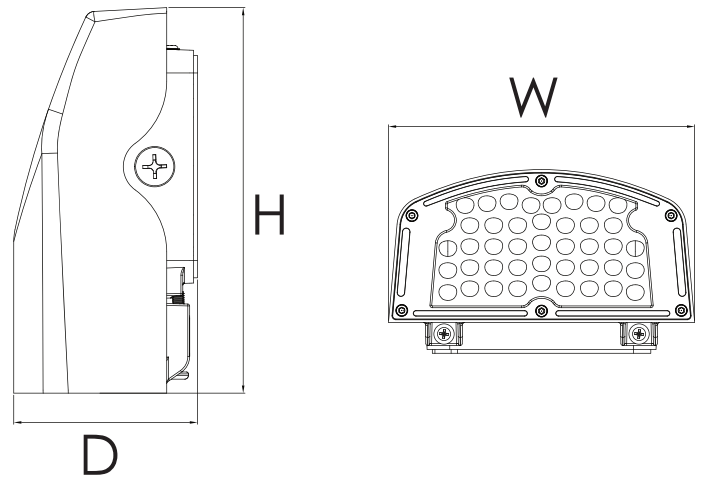
SPECIFICATIONS

MODEL	OPERATION VOLTAGE	OPERATING TEMPERATURE	RATED LIFESPAN	CCT	CRI	EFFICACY
USL-SWP1A	120-277V	-40°F – 104°F -40°C – 40°C	50,000 HOURS	4000K, 5000K	70+	125-133 lm/W

MODEL	POWER (W)	CCT	LUMENS (lm)	EFFICACY (lm/W)
USL-SWP1A-27W-LV-40K	27	4000K	3,500	130
USL-SWP1A-27W-LV-50K	27	5000K	3,600	133
USL-SWP1A-40W-LV-40K	40	4000K	5,100	128
USL-SWP1A-40W-LV-50K	40	5000K	5,200	130
USL-SWP1A-67W-LV-40K	67	4000K	8,800	131
USL-SWP1A-67W-LV-50K	67	5000K	8,900	133
USL-SWP1A-80W-LV-40K	80	4000K	10,000	125
USL-SWP1A-80W-LV-50K	80	5000K	10,500	131

DIMENSIONS

MODEL	H HEIGHT	W WIDTH	D DEPTH
27-40W	9.2 in 232 mm	7.3 in 185 mm	4.2 in 107 mm
67-80W	11 in 280 mm	10 in 256 mm	5.1 in 129 mm



PHOTOMETRICS

